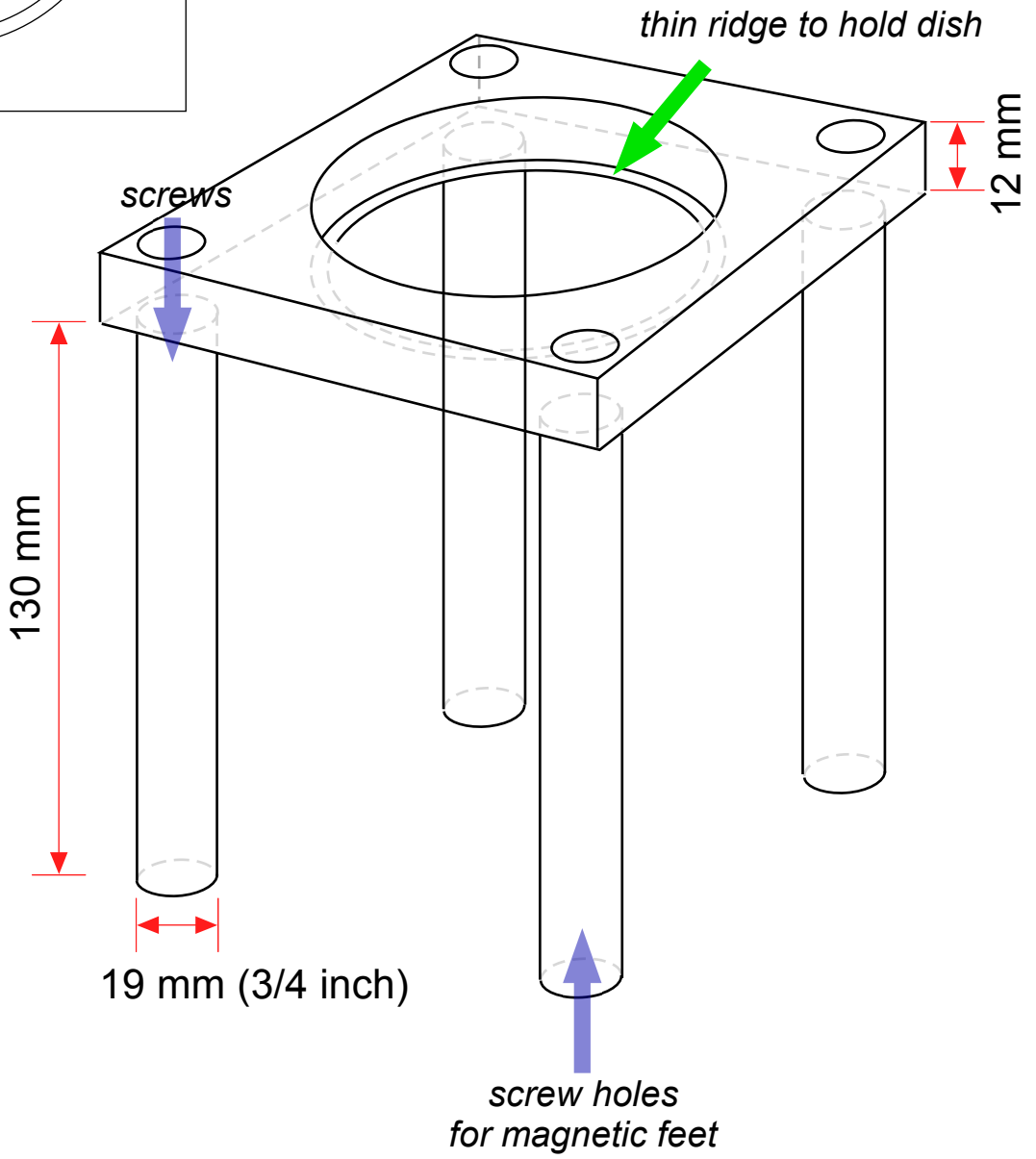
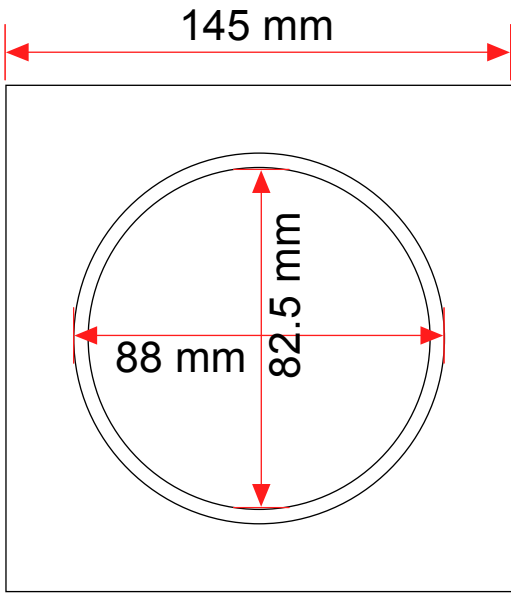
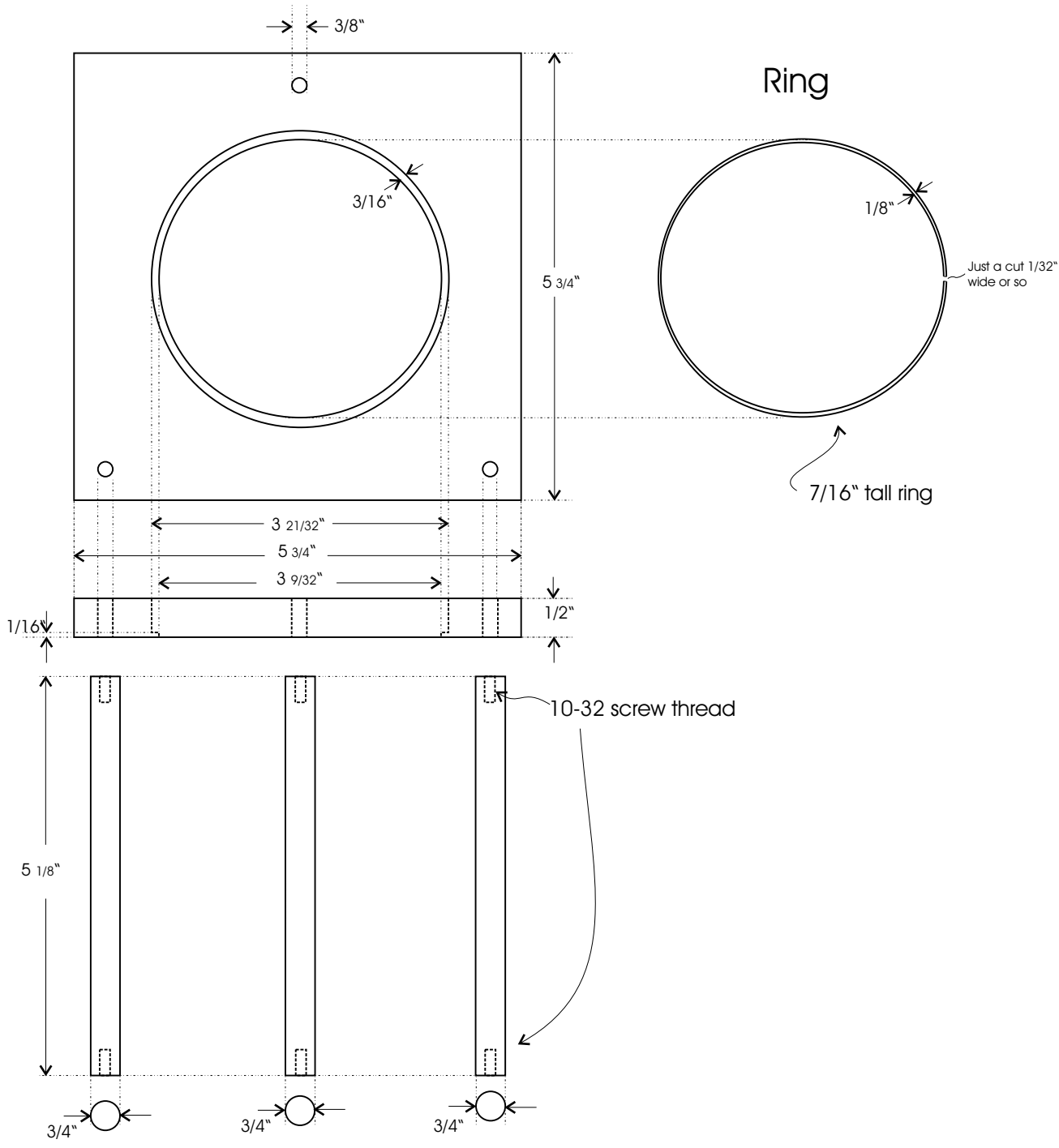


Petri dish rig stage (plexiglass)





Petri-dish stand:

- Material: plexiglass
- Screws: stainless steel
- 10-32 hex screws
- Plus 3 magnetic bases